

# Quantum Flex® Parts & Accessories

## Optional and Replacement Parts

### Grease Cups

Retainer Ring Only #101576

Bulb #163265

Washer #123523

Base and Fitting #101089

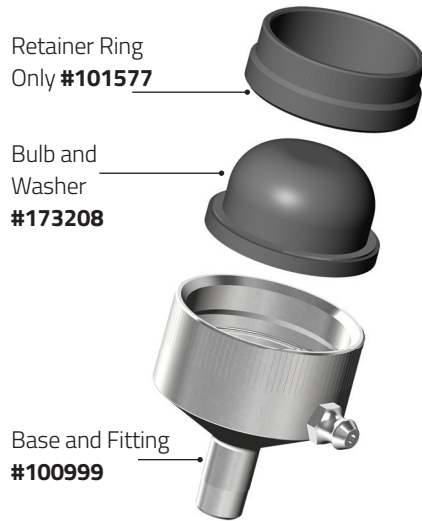


Small Grease Cup Complete #101090

Retainer Ring Only #101577

Bulb and Washer #173208

Base and Fitting #100999

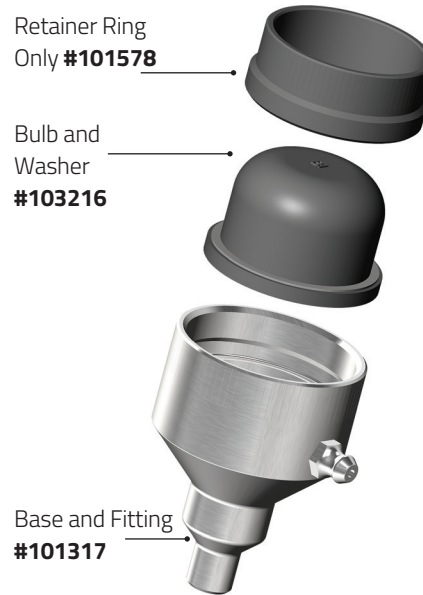


Medium Grease Cup Complete #100998

Retainer Ring Only #101578

Bulb and Washer #103216

Base and Fitting #101317



Large Grease Cup Complete #101316

### Whizard® Strap Assembly

Whizard® Strap Assembly #103060



### Handles (optional)

Large Handle #106948 L



Aluminum Handle (not shown)  
Small #107258  
Medium #107259

### Handles (optional)

Small Blue Handle #102996 S

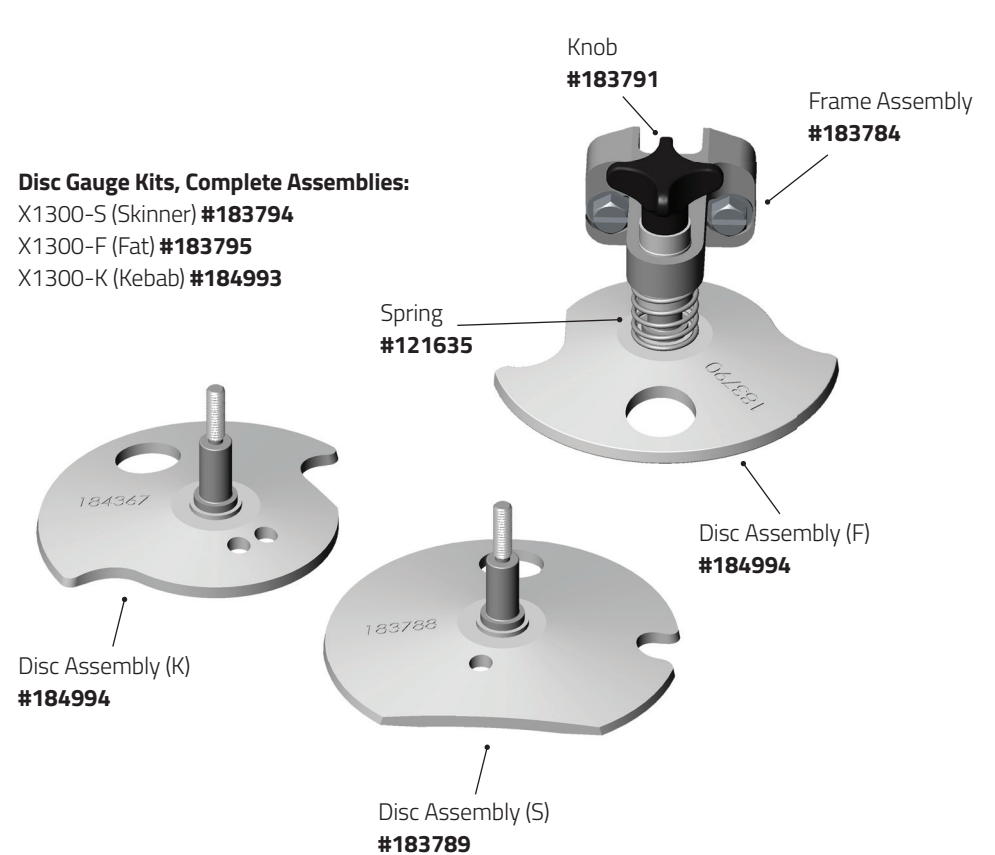
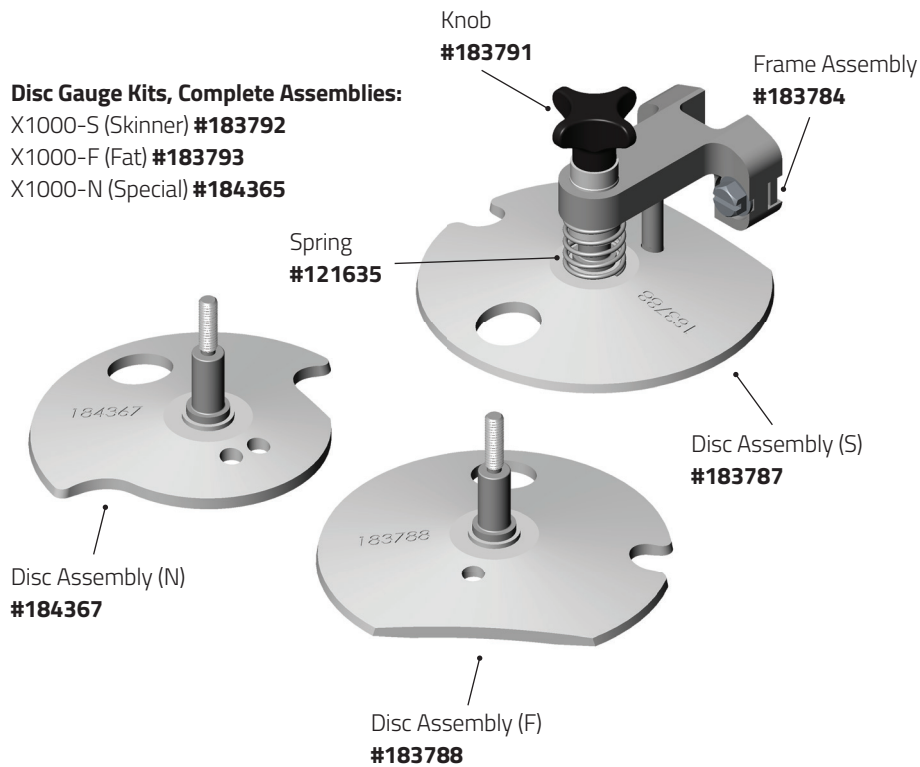
Medium Gray Handle #106947 M

Large Yellow Handle #100694 L



# Quantum Flex® Parts & Accessories

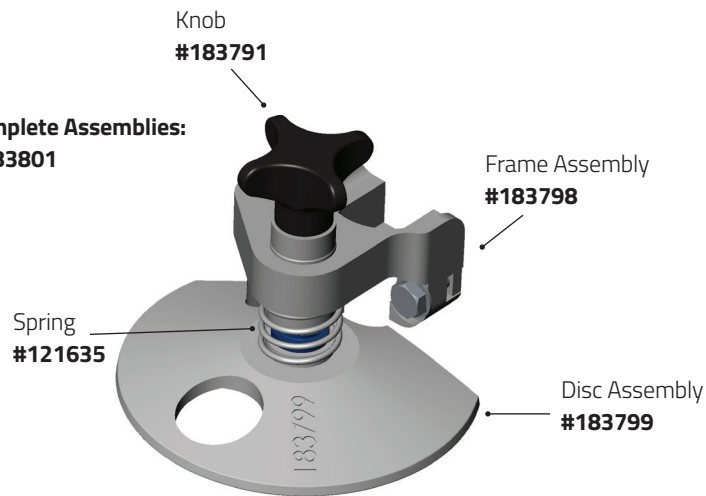
## Optional and Replacement Parts



# Quantum Flex® Parts & Accessories

## Optional and Replacement Parts

**Disc Gauge Kits, Complete Assemblies:**  
X850-S (Skinner) #183801



**Disc Gauge Kits, Complete Assemblies:**  
X1850-K (Kebab) #184479

